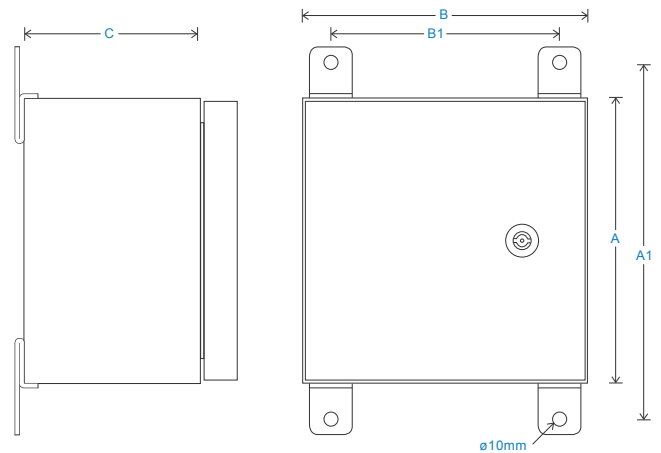


HS-CE-M 接线盒 喷漆低碳钢材质

主要特点

- 提供一个通过便携式数据收集器从加速度计读取数据的端子
- 一拖多输出



dimensions to be specified in 'how to order' table

Technical Performance

Inputs	Via accelerometer	Door	Twist Handle
Output	BNC as standard (TNC as alternative)	Glanding	Glands supplied but not fitted
Mounting Board	PCB Panel	Holes are punched for:	
Material	Mild Steel painted	Single input M12 - $\varnothing 3.5$ -7mm cable	
	RAL 7042 as standard	Single input M20 - $\varnothing 7$ -13mm multi-core cable	
Dimensions	see: 'How To Order' table	Multi input M20 - 3 x $\varnothing 5.3$ mm	
Sealing	IP66	Labelling	Channel locations - other
Termination	Klippon Type	labelling available upon request	
		Mounting	supplied are 4 x Brackets
		EMC	EN61326-1:2013

How To Order

